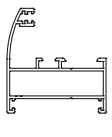
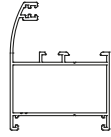
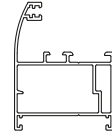
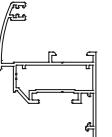
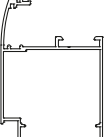
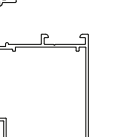
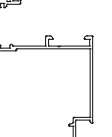
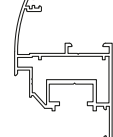
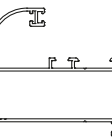
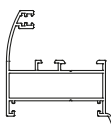
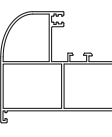
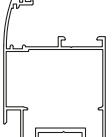
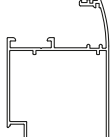
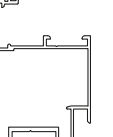
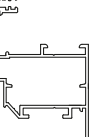

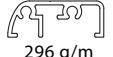
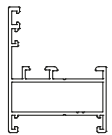
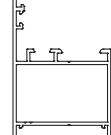
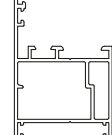
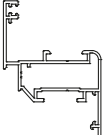
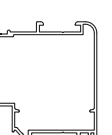
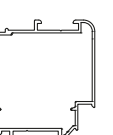
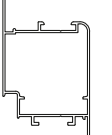
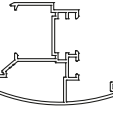
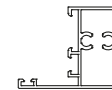
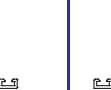
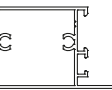
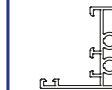
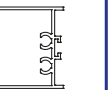


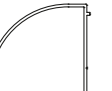


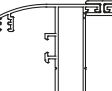

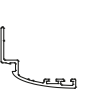








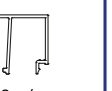
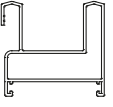
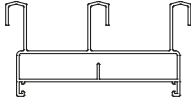
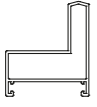
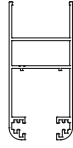

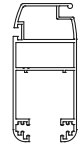
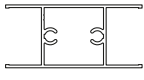
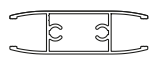
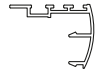
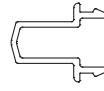
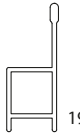
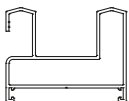
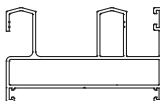
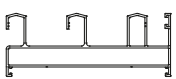
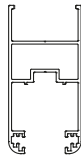
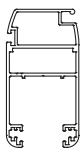

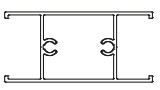
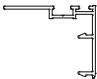
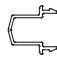


FRAMES			SASHES				
LK 3601	LK 3602	LK 3607	LK 3611	LK 3612	LK 3712	LK 3613	LK 3617
							
645 g/m	704 g/m	799 g/m	733 g/m	964 g/m	981 g/m	964 g/m	948 g/m
LK 3605	LK 3606	LK 3609	LK 3618	LK 3713	LK 3619	LK 3620	163012
							
884 g/m	776 g/m	1163 g/m	1123 g/m	981 g/m	1123 g/m	858 g/m	354 g/m
							163013
							
							296 g/m
LK 3604	LK 3603	LK 3608	LK 3614	LK 3615	LK 3616	LK 3715	LK 3625
							
563 g/m	629 g/m	716 g/m	718 g/m	943 g/m	943 g/m	888 g/m	725 g/m
"T" PROFILES							
LK 3621	LK 3622	LK 3623	LK 3624	LK 3626			
							
773 g/m	924 g/m	964 g/m	869 g/m	1206 g/m			
ADDITIONAL PROFILES							
LK 3641	LK 3642	LK 3645	LK 3643	LK 3644			
							
438 g/m	540 g/m	497 g/m	272 g/m	308 g/m			
LK 3646	LK 3647	LK 3691	LK 3692	LK 3693			
							
116 g/m	222 g/m	464g/m ²	726 g/m 6.05 kg/m ²	180 g/m			
GLAZING BEADS							
LK 3636	LK 3632	LK 3635	LK 3633	LT 6031	LT 6032	LK 3631	
							
207 g/m	213 g/m	232 g/m	253 g/m	284 g/m	308 g/m	297 g/m	

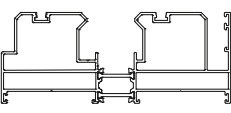
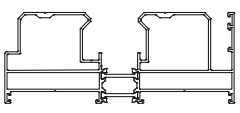
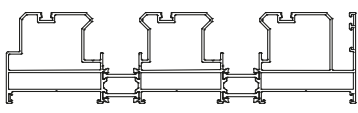
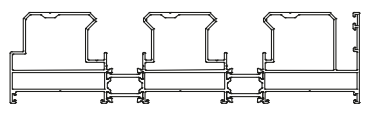
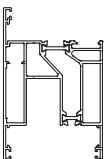
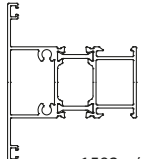
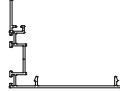
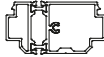

Sliding Series LS44

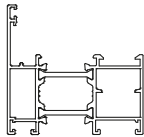
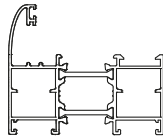
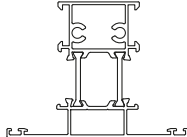
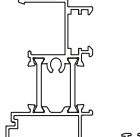
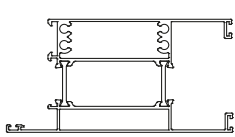
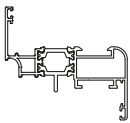
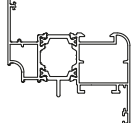
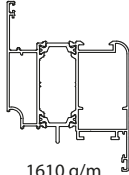
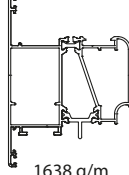
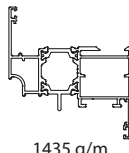
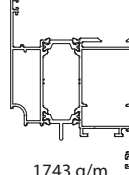
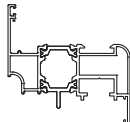
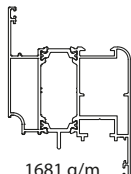
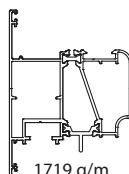
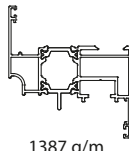
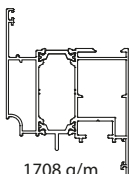
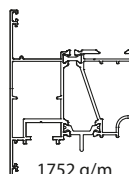
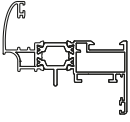
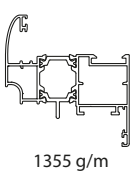
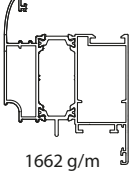
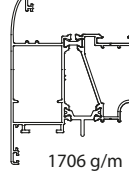
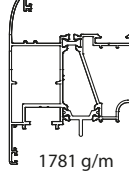
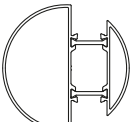


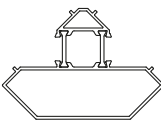
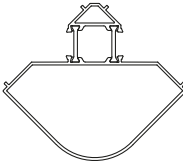
FRAMES			SASHES		
LS 4401	LS 4402	LS 4403	LS 4411	LS 4412	LS 4413
					
680 g/m	987 g/m	515 g/m	686 g/m	720 g/m	787 g/m
"T" PROFILES		ADDITIONAL PROFILES		SLIDING INSERTS SCREEN	
LS 4421	LS 4422	LS 4441	LS 4442	LK 3666	LK 3667
					
648 g/m	610 g/m	336 g/m	197 g/m	197 g/m	631 g/m

Sliding Series LS 53

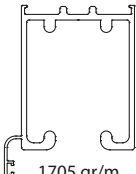
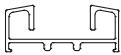
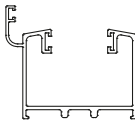
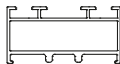
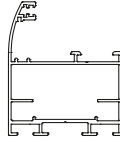
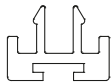
FRAMES			SASHES		
LS 5301	LS 5302	LS 5303	LS 5311	LS 5312	LS 5343
					
810 g/m	1056 g/m	1477 g/m	837 g/m	886 g/m	216 g/m
"T" PROFILES		ADDITIONAL PROFILES			
LS 5321	LS 5341	LS 5342			
					
770 g/m	337 g/m	203 g/m			

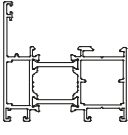
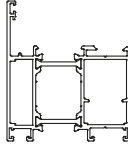
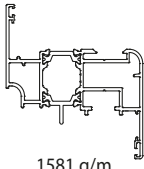
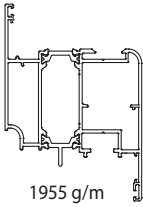
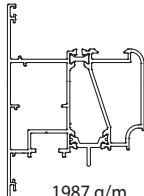
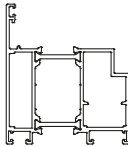
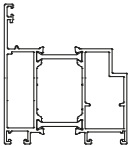
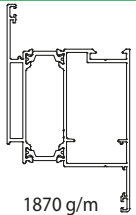
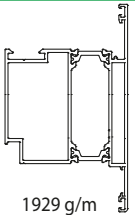

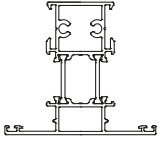
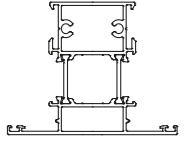
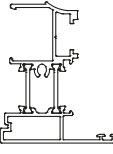
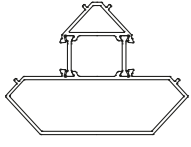
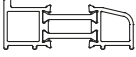
Thermal break sliding Series LS 15

FRAMES				
LS 1501	LS 1502	LS 1503	LS 1504	
				
3134 g/m	3109 g/m	4723 g/m	4690 g/m	
"T" PROFILES		ADDITIONAL PROFILES		
LS 1511	LS 1521	LS 1541	LS 1542	LS 1543
				
2312 g/m	1592 g/m	655 g/m	1337 g/m	172 g/m

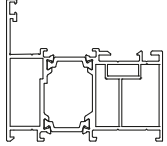
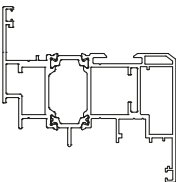
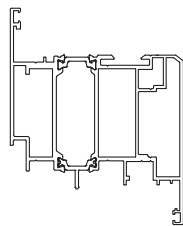
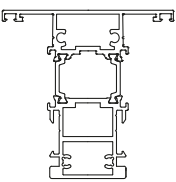
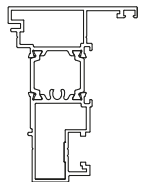
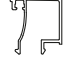

FRAMES		"T" PROFILES			
LT 6001	LT 6002	LT 6021	LT 6024	LT 6022	
					
1145 g/m	1270 g/m	1370 g/m	1135 g/m	2138 g/m	
SASHES					
LT 6011	LT 6012	LT 6013	LT 6017	LT 6028	LT 6029
					
1074 g/m	1298 g/m	1610 g/m	1638 g/m	1435 g/m	1743 g/m
LT 6018	LT 6019	LT 6026	LT 6038	LT 6039	LT 6036
					
1356 g/m	1681 g/m	1719 g/m	1387 g/m	1708 g/m	1752 g/m
LT 6014	LT 6015	LT 6016	LT 6025	LT 6027	
					
1149 g/m	1355 g/m	1662 g/m	1706 g/m	1781 g/m	
ADDITIONAL PROFILES					
LT 6051	LT 6052	LT 6053	LT 6054	LT 6055	
					
1408 g/m	137 g/m	162 g/m	1387 g/m	1562 g/m	

Harmonics type opening Series LA 50


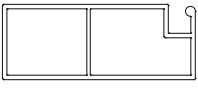
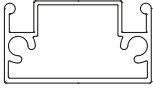

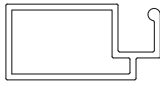
FRAMES				SASHES	
LA 5001	LA 5002	LA 5003	LA 5004	LA 5013	LA 5005
					
1705 gr/m	605 gr/m	849 gr/m	660 gr/m	923 gr/m	187 gr/m

FRAMES		SASHES		
LT 6501	LT 6502	LT 6511	LT 6512	LT 6513
 1417 g/m	 1595 g/m	 1581 g/m	 1955 g/m	 1987 g/m
LT 6503	LT 6504	LT 6514	LT 6515	LT 6540
 1562 g/m	 1530 g/m	 1870 g/m	 1929 g/m	 263 g/m
"T" PROFILES			ADDITIONAL PROFILES	
LT 6521	LT 6522	LT 6524	LT 6554	LT 6505
 1643 g/m	 1813 g/m	 1403 g/m	 1551 g/m	 790 g/m

Windows and doors Series Valeo Excellent $U= 0.77 W/m^2 K$

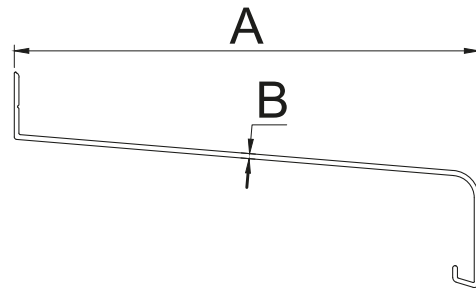
FRAMES	SASHES		"T" PROFILES		GLAZING BEADS
8001	8011	8012	8021	8023	8031
 2340 g/m	 2429 g/m	 3002 g/m	 2697 g/m	 1853 g/m	 340 gr/m
					8032
					 373 g/m

PROFILES FOR INSECT SCREENS

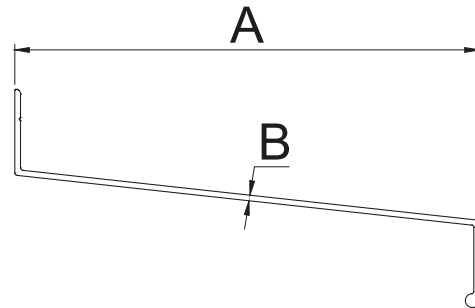
LK 3661	LK 3662	LK 3663	LK 3664	LK 2010
				
200 g/m	370 g/m	292 g/m	145 g/m	135 g/m

DRIP SILLS

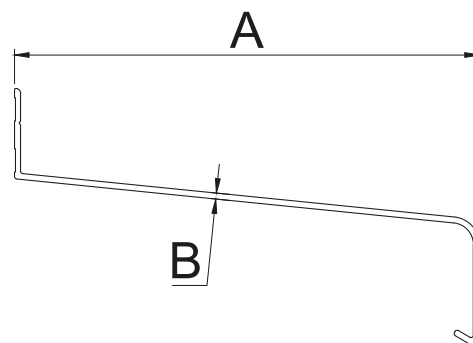
A	B	g/m	Profile number
mm	mm		
100	1.1	410	LK 3551
135	1.2	556	LK 3552
150	1.2	605	LK 3553
165	1.3	702	LK 3554
180	1.4	813	LK 3555



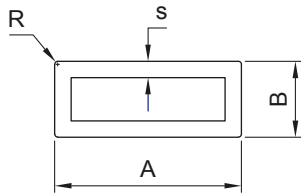
A	B	g/m	Profile number
mm	mm		
190	1.4	882	LK 3654
220	1.	1342	LK 3655
250	1.9	1488	LK 3656



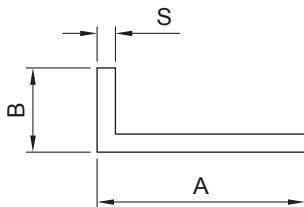
A	B	g/m	Profile number
mm	mm		
100	1.3	513	LK 3681
150	1.4	741	LK 3682
170	1.5	875	LK 3683



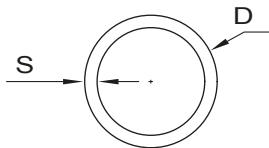
TUBES / L - PROFILES



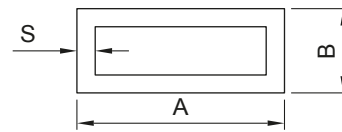
A	B	S	R	gr/m	Profile number
mm	mm	mm	mm		
18	12	1.3	0.5	192	149020
20	15	1.1	1	193	173003
20	15	1.3	0.5	227	149017
30	15	1	3	221	149021
30	15	1.1	1	221	173002
30	15	1.3	3	284	149022



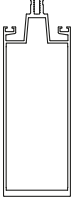


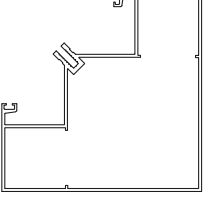
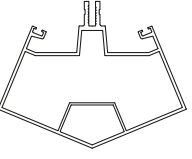

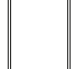
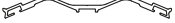








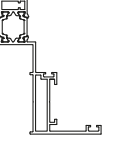
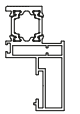
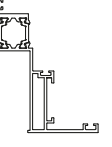
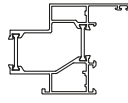
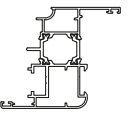

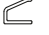

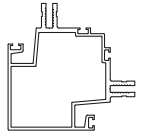
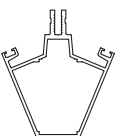



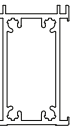

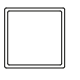

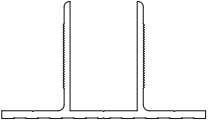
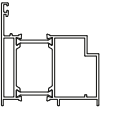
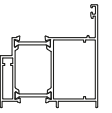
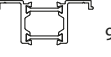
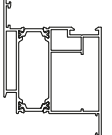
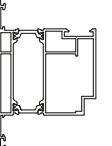

A	B	S	g/m	Profile number
mm	mm	mm		
20	20	1	79	V220
20	40	1	160	V240
20	60	1	214	V260
20	100	1.2	386	V210
30	30	1	160	V330
40	40	1.2	257	V440

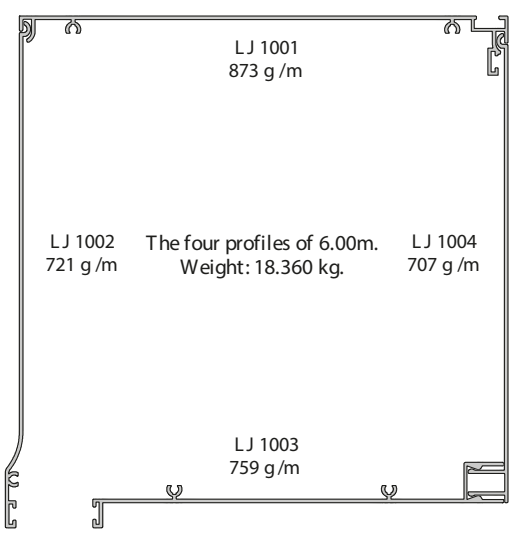
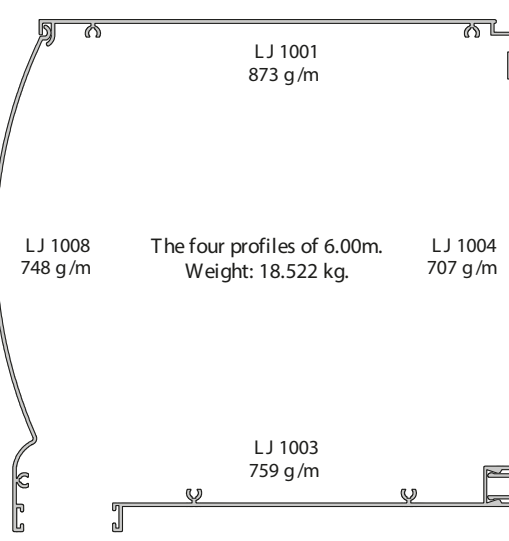
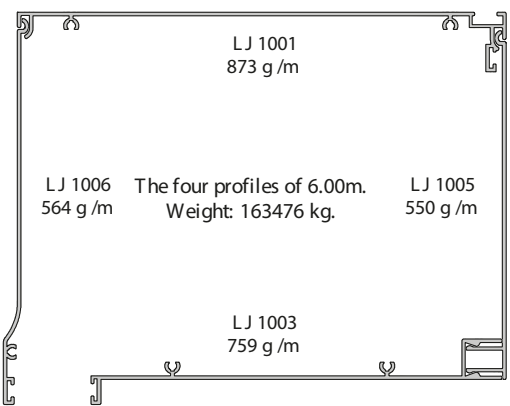
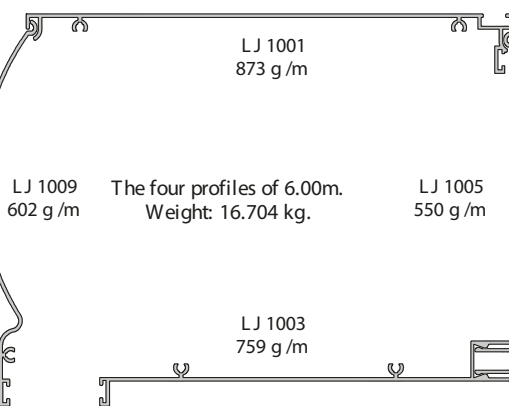


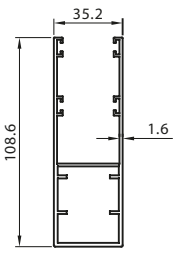
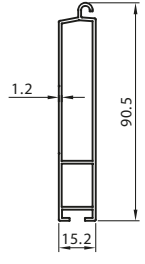
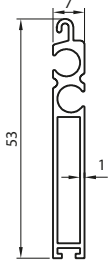
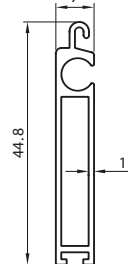
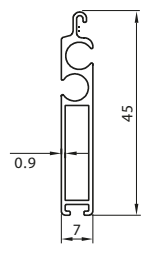
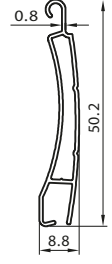
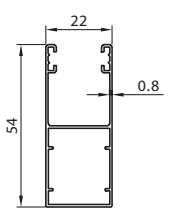
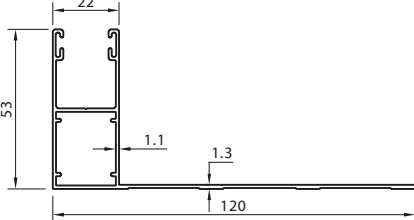
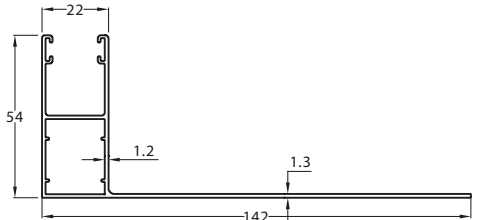
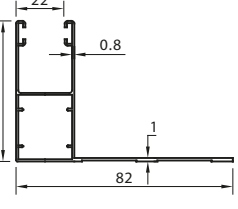
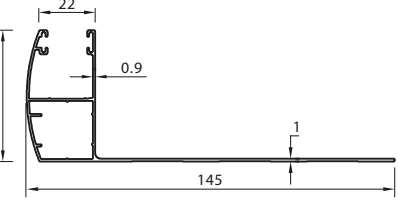
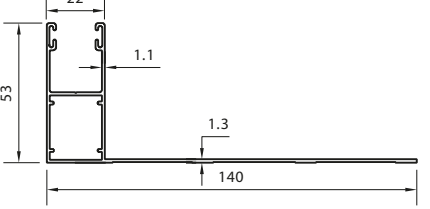
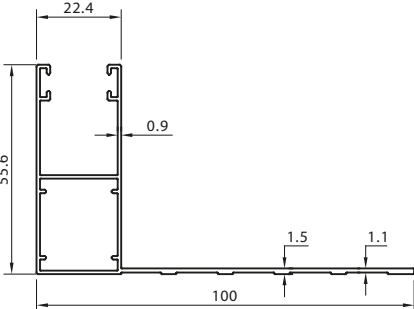
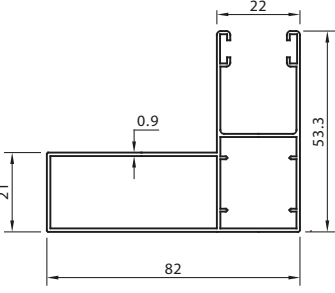
D	S	g/m	Profile number
mm	mm		
19	1.2	182	173006
32	1.5	388	173004
40	1.5	490	149007
50	1.5	617	149015
60	1.5	744	149014
80	2	1323	149023



A	B	S	gr/m	Profile number
mm	mm	mm		
20	30	1	260	K 230
20	40	1	314	K 240
20	40	1.2	373	K 240/1.2
20	40	1.6	492	K 240/1.6
20	40	1.9	579	K 240/1.9
20	60	1	422	K 260
20	60	1.3	545	K 260/1.3
20	80	1	530	K 280/1
20	80	1.1	584	K 280/1.1
20	80	1.3	686	K 280/1.3
20	80	1.5	786	K 280/1.5
20	100	1.1	638	K 210
20	100	1.3	827	K 210/1.3
30	30	1	314	K 330
30	30	1.5	463	K 330/1.5
30	30	1.9	579	K 330/1.9
40	40	1	422	K 440
40	40	1.5	624	K 440/1.5
40	40	1.6	666	K 440/1.6
40	40	1.9	785	K 440/1.9
40	60	1.2	635	K 460/1.2
40	60	1.7	890	K 460/1.7
40	60	1.9	991	K 460/1.9
40	80	1.1	702	K 480
40	80	1.3	827	K 480/1.3
40	80	1.7	1074	K 480/1.7
50	50	1.3	686	K 550/1.3
50	100	1.8	1428	K 5100/1.8
80	80	1.5	1276	K 880/1.5
100	100	1.9	2020	K 1010/1.9

LF 7003  3199 g/m	LF 7001  2520 g/m	LF 7002  2156 g/m	LF 7008  3393g/m	LF 7009  2706 g/m	
LF 7021  1150 g/m	LF 7023  1622 g/m	LF 7067  816 g/m	LF 7068  371 g/m	LF 7069  321 g/m	
LF 7022  845 g/m	LF 7051  286 g/m	LF 7057  566 g/m	LF 7058  154 g/m	LF 7059  207 g/m	LF 7061  409 g/m
LF 7031  1451 g/m	LF 7041  1404 g/m	LF 7033  1442 g/m	LF 7032  1469 g/m	LT 6018  1461 g/m	
LF 7092  160 g/m	LF 7093  160 g/m	LF 7095  364 g/m	LF 7006  2312 g/m	LF 7007  1717 g/m	
LF 7091  170 g/m	LT 6031  284 g/m	LF 7096  419 g/m			
LF 7071  2327 g/m	LF 7079  1364 g/m	LF 7076  821 g/m	LF 7077  767 g/m	LF 7100  5422 g/m	
LT 6504  1470 g/m	LT 6505  1448 g/m	LT 6575  920 g/m	LT 6514  1964 g/m	LT 6515  2040 g/m	
		LF 7094  402 g/m			

Visible rolling shutters box 180 x 180	Curved visible shutters box 180 x 180
 <p>LJ 1001 873 g/m</p> <p>LJ 1002 721 g/m The four profiles of 6.00m. LJ 1004 707 g/m Weight: 18.360 kg.</p> <p>LJ 1003 759 g/m</p>	 <p>LJ 1001 873 g/m</p> <p>LJ 1008 748 g/m The four profiles of 6.00m. LJ 1004 707 g/m Weight: 18.522 kg.</p> <p>LJ 1003 759 g/m</p>
Visible rolling shutters box 180 x 140	Curved visible shutters box 180 x 140
 <p>LJ 1001 873 g/m</p> <p>LJ 1006 564 g/m The four profiles of 6.00m. LJ 1005 550 g/m Weight: 163476 kg.</p> <p>LJ 1003 759 g/m</p>	 <p>LJ 1001 873 g/m</p> <p>LJ 1009 602 g/m The four profiles of 6.00m. LJ 1005 550 g/m Weight: 16.704 kg.</p> <p>LJ 1003 759 g/m</p>

<p>LK 3571</p>  <p>1507 g/m</p>	<p>LK 3573</p>  <p>721 g/m</p>	<p>LK 3694</p>  <p>360 g/m</p>	<p>LK 3698</p>  <p>299 g/m</p>	<p>LK 3673</p>  <p>284 g/m</p>	<p>LK 3674</p>  <p>237 g/m</p>
<p>LK 3671</p>  <p>373 g/m</p>	<p>LK 3675</p>  <p>785 g/m</p>		<p>LK 3672</p>  <p>945 g/m</p>		
<p>209002</p>  <p>548 g/m</p>	<p>LK 3676</p>  <p>794 g/m</p>		<p>LK 3679</p>  <p>839 g/m</p>		
<p>21007</p>  <p>684 g/m</p>			<p>209003</p>  <p>662 g/m</p>		

179001 609 g/m	179012 708 g/m	179013 708 g/m	179021 604 g/m
179031 220 g/m	179032 226 g/m		

Shutter profiles

3625 725 g/m	145005 220 g/m	145009 226 g/m	3901 1015 g/m	3902 817 g/m	3903 742 g/m
---------------------	-----------------------	-----------------------	----------------------	---------------------	---------------------

Windows and doors Series 59

5902 1126 g/m	5904 886 g/m	5910 1083 g/m	5911 1263 g/m	
5918 1296 g/m	5920 843 g/m	5912 1266 g/m	5919 948 g/m	5901 938 g/m